

DP Series

REV 001C

CE

UK
CA

December 2022

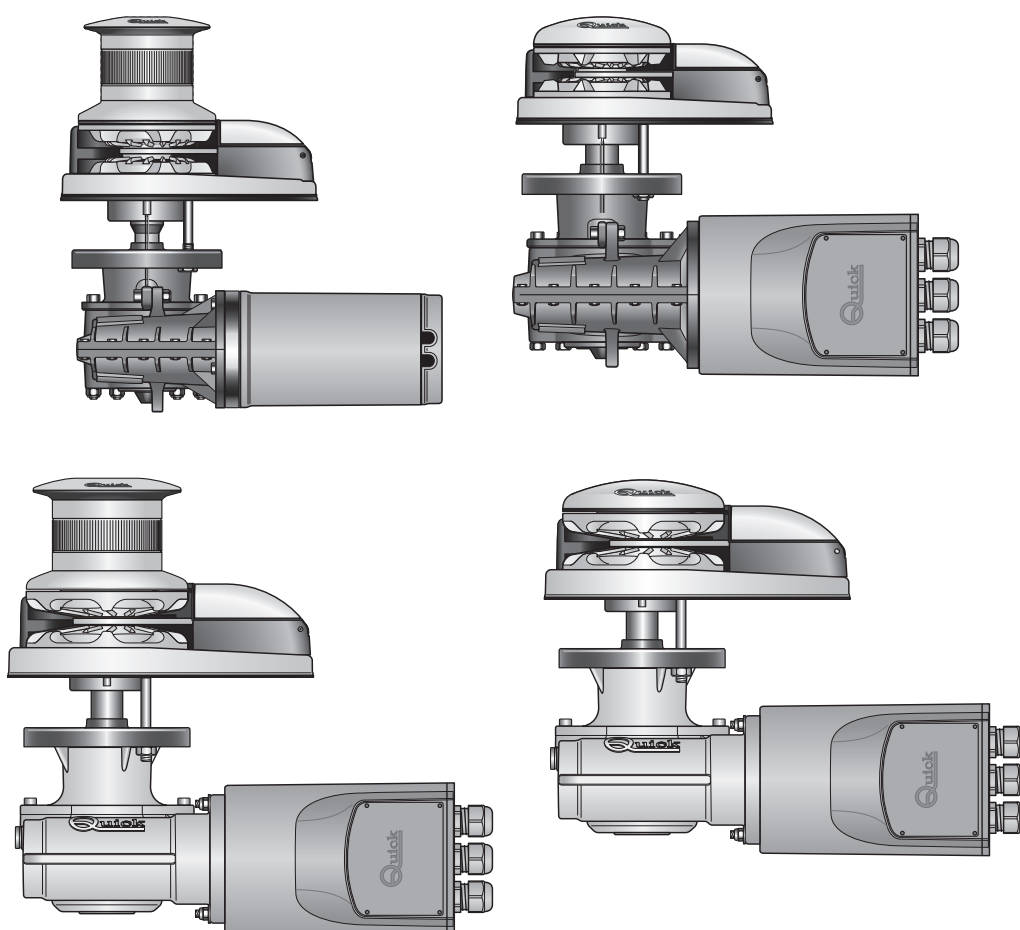
VERTICAL WINDLASSES

DP1_P 300 500

DP2_P 300 500 700 1000

DP3_P 700 1000

DP3 1500



*EN - INSTALLATION AND USER'S MANUAL

*Other languages available by scanning the QR code on the back of this manual or on the label on the product.

Quick[®]
Nautical Equipment

IT *Altre lingue disponibili scansionando il codice QR presente sul retro del seguente manuale o sull'etichetta alloggiata sul prodotto.

ES *Otros idiomas disponibles escaneando el código QR en la parte posterior de este manual o en la etiqueta del producto.

FR *Autres langues disponibles en scannant le code QR au dos de ce manuel ou sur l'étiquette du produit.

DE *Andere Sprachen sind durch Scannen des QR-Codes auf der Rückseite dieser Betriebsanleitung oder auf dem Aufkleber am Produkt verfügbar.

PT *Outros idiomas disponíveis, digitalizando o código QR no verso deste manual ou no rótulo do produto.

1 - Information about the product	5
1.0 - Model code	5
1.1 - DP1 Technical Data	5
1.2 - DP2 Technical Data	6
1.3 - DP3 Technical Data	7
2 - Supply and equipment	8
2.0 - Standard supply and material included in the package	8
2.1 - Tools required for installation	8
2.2 - Recommended Quick® accessories not included	8
3 - Introduction	8
3.0 - Important notes	8
3.1 - Precautions	9
3.2- Precautions for the installer	9
4 - Installation	9
4.0 - Installation requirements	9
4.1 - Installation procedures	10
4.2 - Flange mounting 700W - 1000W	11
4.3 - Motorgearbox rotation	11
5 - Wiring diagram	12
5.0 - Example of connection DP1-DP2 P 300W - 500W	12
5.1 - Example of connection DP2 P 700W - 1000W / DP3 1500W	13
6 - Cautions & Use	14
6.0 - Important cautions	14
6.1 - Clutch use	14
6.2 - Troubleshooting	15
7 - Maintenance	15
8 - Product disposal	15
9 - List of components DP1	16
10 - List of components DP2	17
11 - List of components DP3	18
12 - List of motorgearbox components	19
13 - Spare parts	21
14 - Dimensions	23

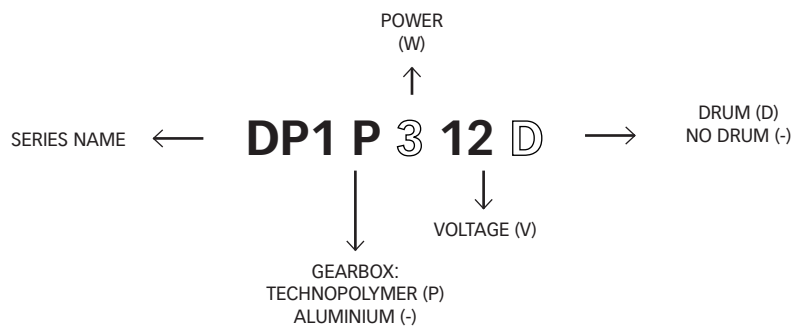


**BEFORE USING THE WINDLASS READ THESE INSTRUCTIONS CAREFULLY.
IF IN DOUBT, CONTACT YOUR NEAREST "QUICK®" DEALER.**



QUICK® RESERVES THE RIGHT TO MODIFY THE TECHNICAL CHARACTERISTICS OF THE EQUIPMENT AND THE CONTENTS OF THIS MANUAL WITHOUT PRIOR NOTICE. IN CASE OF DISCORDANCE OR ERRORS IN TRANSLATION BETWEEN THE TRANSLATED VERSION AND THE ORIGINAL TEXT IN THE ITALIAN LANGUAGE, REFERENCE WILL BE MADE TO THE ITALIAN TEXT.

1.0 - Model code



1.1 - DP1 Technical Data

MODELS	DP1 P - / D			DP1 P HI SPEED ⁽⁶⁾	
MODEL POWER	300W	500W		500W	
Motor voltage	12V	12V	24V	12V	24V
Maximum instantaneous pull	370 kg (815.7 lb)	660 kg (1455.0 lb)		600 kg (1322.8 lb)	
Maximum work load	120 kg (264.5 lb)	200 kg (440.9 lb)	220 kg (485.0 lb)	170 kg (374.8 lb)	200 kg (440.9 lb)
Work load	40 kg (88.2 lb)	65 kg (143.3 lb)	70 kg (154.3 lb)	65 kg (143.3 lb)	70 kg (154.3 lb)
Current consumption at work load ⁽¹⁾	60 A	80 A	40 A	100 A	50 A
Maximum recovery speed ⁽²⁾	26.3 m/min (86.3 ft/min)	25.2 m/min (83.0 ft/min)		39.0 m/min (128.0 ft/min)	
Recovery speed at work load ⁽²⁾	22.5 m/min (73.8 ft/min)	18.5 m/min (60.7 ft/min)	19.3 m/min (63.3 ft/min)	28.5 m/min (93.5 ft/min)	28.0 m/min (91.8 ft/min)
Minimum motor cable cross section ⁽³⁾	16 mm ² (AWG5)		10 mm ² (AWG7)	25 mm ² (AWG3)	10 mm ² (AWG7)
Circuit breaker ⁽⁴⁾	50 A	60 A	40 A	80 A	40 A
Deck thickness ⁽⁵⁾	20 ÷ 30 mm (25/32" ÷ 1" 3/16)				
Weight-model without drum	8.3 Kg (18.3 lb)				
Weight-model with drum	9.3 Kg (20.5 lb)				

(1) After an initial period of use.

(2) Measurements taken with a gypsy for 6 mm chain

(3) Minimum recommended value for total length L= <20 m.

Determine the cable cross section according to the length of the wiring.

(4) With specific circuit breaker for direct current (DC) and delayed circuit breaker (thermal-magnetic or hydraulic-magnetic).

(5) On request, shafts and studs can be supplied for greater deck thicknesses.

(6) Only on request.

GYPSY (*)	6 mm		1/4"
Chain size	6mm	6mm	1/4"
	DIN 766	ISO	BBB

(*) For gypsy codes, see the exploded drawing on page 16



1.2 - DP2 Technical Data

MODELS	DP2 P - / D			HI SPEED ⁽⁶⁾	
MODEL POWER	300W	500W		500W	
Motor voltage	12V	12V	24V	12V	24V
Maximum instantaneous pull	370 kg (815.7 lb)	660 kg (1455.0 lb)		600 kg (1322.8 lb)	
Maximum work load	120 kg (264.5 lb)	200 kg (440.9 lb)	220 kg (485.0 lb)	170 kg (374.8 lb)	200 kg (440.9 lb)
Work load	40 kg (88.2 lb)	65 kg (143.3 lb)	70 kg (154.3 lb)	65 kg (143.3 lb)	70 kg (154.3 lb)
Current consumption at work load ⁽¹⁾	65 A	80 A	40 A	100 A	50 A
Maximum recovery speed ⁽²⁾	29.2 (m/min) (95.8 ft/min)	28.9 (m/min) (94.8 ft/min)	28.2 (m/min) (92.5 ft/min)	43.0 (m/min) (141.1 ft/min)	42.5 (m/min) (139.4 ft/min)
Recovery speed at work load ⁽²⁾	24.4 m/min (73.8 ft/min)	24.3 m/min (60.7 ft/min)	24.1 m/min (63.3 ft/min)	34.5 m/min (93.5 ft/min)	35 m/min (91.8 ft/min)
Minimum motor cable cross section ⁽³⁾	16 mm ² (AWG5)		10 mm ² (AWG7)	25 mm ² (AWG3)	10 mm ² (AWG7)
Circuit breaker ⁽⁴⁾	50 A	60 A	40 A	80 A	40 A
Deck thickness ⁽⁵⁾	25 ÷ 50 mm (63/64" ÷ 1" 31/32)				
Weight-model without drum	9.0 Kg (19.8 lb)				
Weight-model with drum	9.8 Kg (21.6 lb)				

MODELS	DP2 P - / D			
MODEL POWER	700W		1000W	
Motor voltage	12V	24V	12V	24V
Maximum instantaneous pull	680 kg (1499 lb)		930 kg (2050 lb)	
Maximum work load	300 kg (661 lb)	320 kg (705 lb)	420 kg (925 lb)	480 kg (1058 lb)
Work load	100 kg (220 lb)	170 kg (235 lb)	140 kg (308 lb)	160 kg (352 lb)
Current consumption at work load ⁽¹⁾	95 A	50 A	130 A	75 A
Maximum recovery speed ⁽²⁾	22.6 m/min (74.15 ft/min)	25.3 m/min (83.0 ft/min)	31.2 m/min (102.4 ft/min)	30.1 m/min (98.8 ft/min)
Recovery speed at work load ⁽²⁾	11.6 m/min (38 ft/min)	14.4 m/min (47.2 ft/min)	16.5 m/min (54 ft/min)	19.1 m/min (62.6 ft/min)
Minimum motor cable cross section ⁽³⁾	25 mm ² (AWG3)	10 mm ² (AWG7)	35 mm ² (AWG3)	16 mm ² (AWG7)
Circuit breaker ⁽⁴⁾	50 A	40 A	80 A	50 A
Deck thickness ⁽⁵⁾	25 ÷ 50 mm (63/64" ÷ 1" 31/32)			
Weight-model without drum	12.8 Kg (28.2 lb)		14.2 Kg (31.3 lb)	
Weight-model with drum	13.7 Kg (30.2 lb)		15.1 Kg (33.3 lb)	

(1) After an initial period of use.

(2) Measurements taken with a gypsy for 6 mm chain

(3) Minimum recommended value for total length L= <20 m.

Determine the cable cross section according to the length of the wiring.

(4) With specific circuit breaker for direct current (DC) and delayed circuit breaker (thermal-magnetic or hydraulic-magnetic).

(5) On request, shafts and studs can be supplied for greater deck thicknesses.

(6) Only on request.

GYPSY (*)	6 mm		7 mm - 1/4"				8 mm		5/6"
Chain size	6mm	6mm	7 mm	7 mm	1/4"	1/4"	8 mm	8 mm	5/6"
	DIN 766	ISO	DIN 766	ISO	G4	BBB	DIN 766	ISO	G4
Rope size**	1/2"		1/2"		1/2"		1/2"		1/2"

(*) For gypsy codes, see the exploded drawing on page 17.

**The values in the table apply to the combination of rope and chain according to the Quick® system, we do not guarantee the correct operation with other anchor-rode types.



1.3 - DP3 Technical Data

MODELS	DP3 P - / D			
MODEL POWER	700W		1000W	
Motor voltage	12V	24V	12V	24V
Maximum instantaneous pull	850 kg (1873.9 lb)		1000 kg (2204.6 lb)	
Maximum work load	250 kg (551.1 lb)	300 kg (661.4 lb)	370 kg (815.7 lb)	450 kg (992 lb)
Work load	80 kg (176.4 lb)	100 kg (220.5 lb)	120 kg (264.5 lb)	150 kg (330.7 lb)
Current consumption at work load ⁽¹⁾	90 A	55 A	140 A	80 A
Maximum recovery speed ⁽²⁾	27.4 m/min (89.9 ft/min)	26.4 m/min (86.6 ft/min)	39.6 m/min (129.9 ft/min)	40.9 m/min (134.2 ft/min)
Recovery speed at work load ⁽²⁾	14.4 m/min (47.2 ft/min)	14.8 m/min (48.5 ft/min)	20.4 m/min (66.9 ft/min)	21.4 m/min (70.2 ft/min)
Minimum motor cable cross section ⁽³⁾	25 mm ² (AWG3)	10 mm ² (AWG7)	35 mm ² (AWG2)	16 mm ² (AWG5)
Circuit breaker ⁽⁴⁾	50 A	40 A	80 A	50 A
Deck thickness ⁽⁵⁾	25 ÷ 50 mm (63/64" ÷ 1" 31/32)			
Weight-model without drum	16.4 Kg (36 lb)		17.4 Kg (38 lb)	
Weight-model with drum	18.4 Kg (40 lb)		19.4 Kg (42.2 lb)	

MODELS	DP3 - / D	
MODEL POWER	1500W	
Motor voltage	12V	24V
Maximum instantaneous pull	1100 Kg (2425.1 lb)	
Maximum work load	470 kg (1036.2 lb)	540 kg (1190.5 lb)
Work load	160 Kg (352.7 lb)	180 kg (396.8 lb)
Current consumption at work load ⁽¹⁾	155 A	85 A
Maximum recovery speed ⁽²⁾	29.2 m/min (95.8 ft/min)	29.7 m/min (97.4 ft/min)
Recovery speed at work load ⁽²⁾	16.3 (53.5 ft/min)	19.0 (62.3 ft/min)
Minimum motor cable cross section ⁽³⁾	50 mm ² (AWG0)	25 mm ² (AWG7)
Circuit breaker ⁽⁴⁾	100 A	50 A
Deck thickness ⁽⁵⁾	30 ÷ 50 mm (1" 3/16" ÷ 1" 31/32)	
Weight-model without drum	21.3 Kg (46 lb)	
Weight-model with drum	23.2 Kg (51 lb)	

(1) After an initial period of use.

(2) Measurements taken with a gypsy for 8 mm chain

(3) Minimum recommended value for total length L= <20 m.

Determine the cable cross section according to the length of the wiring.

(4) With specific circuit breaker for direct current (DC) and delayed circuit breaker (thermal-magnetic or hydraulic-magnetic).

(5) On request, shafts and studs can be supplied for greater deck thicknesses.

GYPSY (*)	8 mm - 5/16"				10 mm- 3/8"	
Chain size	8 mm	8 mm	5/16"	5/16"	10mm	3/8"
	DIN 766	ISO	G4	BBB	ISO (P.30)	G4
Rope size**	1/2" (12.7 mm) - 9/16" (14.2 mm) - 5/8" (15.8 mm)				5/8" (15.8 mm)	

(*) For gypsy codes, see the exploded drawing on page 18.

**The values in the table apply to the combination of rope and chain according to the Quick® system, we do not guarantee the correct operation with other anchor-rode types.

2.0 - Standard supply and material included in the package

- Windlass (top+gearmotor)
- Reversing contactor box for DP1/DP2 300-500W
- Contactor box for DP2/DP3 700-1000W
- Base gasket
- Lever
- Screws for assembly, top/gearmotor
- Installation and user's manual, Warranty
- Drilling template

2.1 - Tools required for installation

- Drill with bit: Ø 9 mm (23/64") and Ø 11 mm (7/16")
- DP1**
- Hole saw Ø 46 mm (1" 13/16) and Ø 62 mm (2" 7/16)
 - Hex wrench: 13 mm
-
- Drill with bit: Ø 9 mm (23/64") and Ø 11 mm (7/16")
- DP2**
- Hole saw Ø 51 mm (2") and Ø 64 mm (2" 1/2)
 - Hex wrench: 13 mm
-
- Drill with bit: Ø 9 mm (23/64") and Ø 16 mm (5/8")
- DP3**
- Hole saw: Ø 65 mm (2"9/16) and Ø 67 mm (2"5/8)
 - Hex wrench: 13 mm

2.2 - Recommended Quick® accessories not included

- Controls for control board (WCS 820 - WCS B - WCS 830)
- Waterproof push-button panel (HRC 1002)
- Foot switch (900)
- Hydraulic-magnetic circuit breaker (WCB)
- Anchor chain counter (CHC 1103 - CHC 1203 - QNC CHC)
- Control system via RRC radio (R02 - P02 - H02)

3 - Introduction

BEFORE USING THE PRODUCT, PLEASE READ THIS USER'S MANUAL CAREFULLY. IF IN DOUBT, PLEASE CONSULT YOUR QUICK® DEALER.

3.0 - Important notes

This manual features Warning and/or Caution symbols that are important for safety. Please follow the instructions provided.



Warning symbol indicating dangerous situations.



Caution symbol to prevent direct or indirect damage to the product.

This manual provides boat manufacturers and nautical equipment installers with instructions on how to assemble the specified Quick® product and operate it correctly.



3.1 - Precautions



Quick® windlasses are designed and manufactured to weigh the anchor.

- Do not use these products for any other type of operation.
 - Quick® shall not be held liable for direct or indirect damage caused by improper use of the product.
 - The windlass is not designed to support loads generated in particular weather conditions (storm).
 - **WEIGHING THE ANCHOR Turn on the engine**
 - Operate the product from a position where it is possible to supervise the work area.
 - Always deactivate the windlass when not being used.
 - Make sure that there are no bathers nearby before dropping the anchor.
 - The splice between the rope and the chain must be tightly woven for the rope to slide easily into the gypsy shape.
- For any problem or request, feel free to contact Quick® Technical Service.
- For improved safety, we recommend installing at least two controls to operate the windlass in case one is damaged.
 - We recommend the use of Quick® switch as motor safety device.
 - Secure the chain with a retainer before sailing off.
 - The reversing contactor box must be installed in a position protected from any water entry.
 - After completing the anchorage, secure the chain to fixed points such as chain stopper or bollard.
 - To prevent accidental releases, the anchor must be secured. The windlass must not be used as sole securing device.
 - Isolate the windlass from the electrical system during navigation and secure the rope to a fixed point of the boat.
 - This equipment is not intended for use by people (including children) with reduced physical, sensory or mental capabilities.

3.2- Precautions for the installer



CARRY OUT THE INSTALLATION IN GOOD LIGHTING CONDITIONS.

It is advisable to wear suitable clothing and personal protective equipment (PPE).

The product is not suitable for installation in potentially explosive environments and/or atmospheres. Installation and subsequent inspection or repair work must only be carried out by qualified personnel.



CARRY OUT INSTALLATION/MAINTENANCE WORK MAKING SURE THAT THE PRODUCT IS DISCONNECTED FROM THE ELECTRICAL SYSTEM.

Quick® accepts no responsibility for inadequate connection of users to the electrical system and inadequate safety of the electrical system.



4.0 - Installation requirements

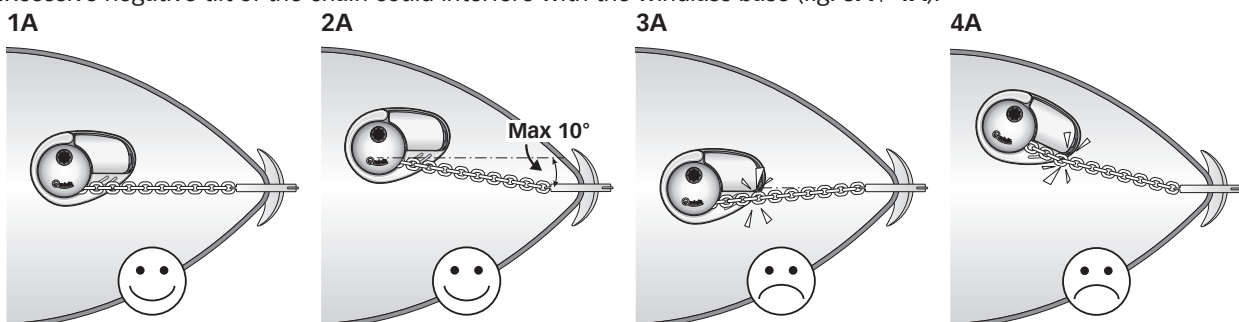
A ROLLER ALIGNMENT

The windlass must be positioned by aligning the gypsy with the bow roller (fig. 1A / 2A).

Precise alignment of the windlass is essential for the correct operation of the product.

A positive chain tilt of up to 10° is allowed (fig. 2A).

An excessive negative tilt of the chain could interfere with the windlass base (fig. 3A / 4A).

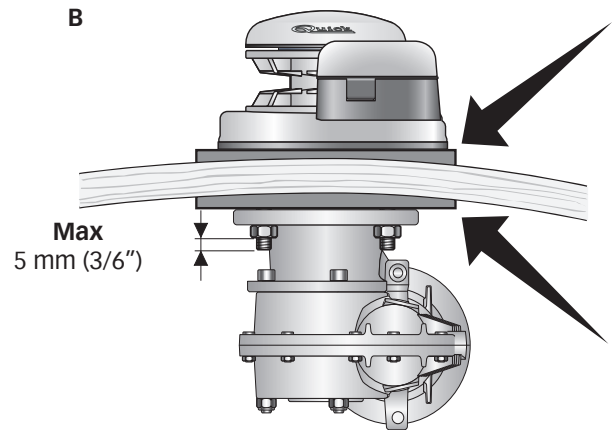


B DECK LEVEL

Ensure that the upper and lower surfaces of the deck are as parallel as possible. If this is not the case, compensate the difference appropriately (fig. B).

A lack of parallelism could result in a loss of motor power. The deck thickness must be included among the figures listed in the table.

In case of different thickness, please contact your Quick® dealer.

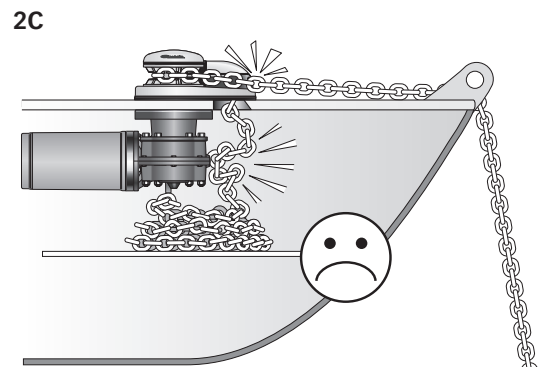
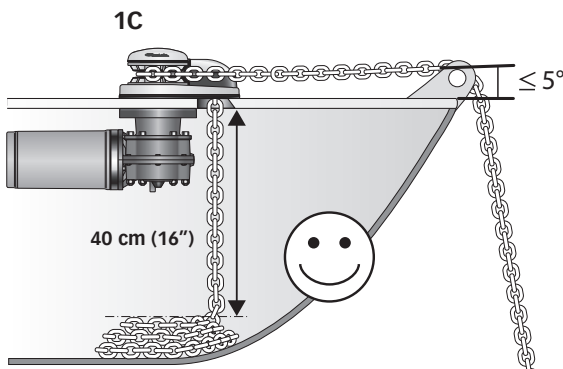
**C PEAK DEPTH AND BOW ROLLER HEIGHT**

There must be no obstacles to the passage of cables, rope and chain under deck (fig. 1C).

Insufficient depth of the peak could cause chain jamming (fig. 2C).

A positive tilt of the chain in relation to the deck level of up to 5° is allowed (fig. 1C).

An excessive negative tilt of the chain could interfere with the windlass base (fig. 2C).

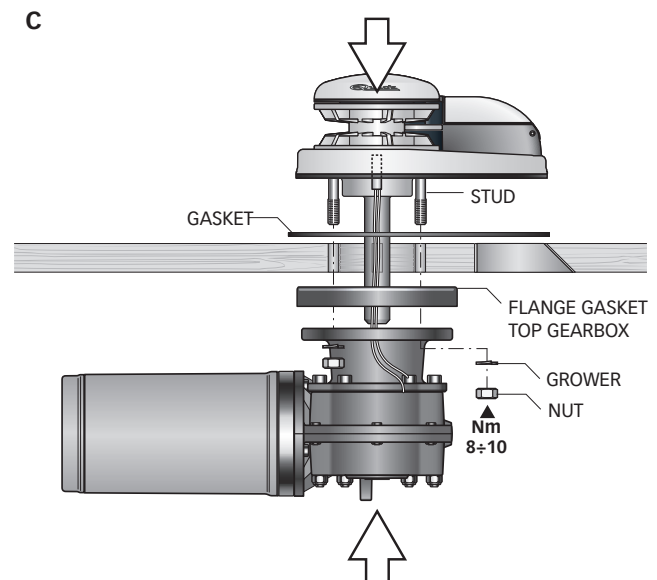
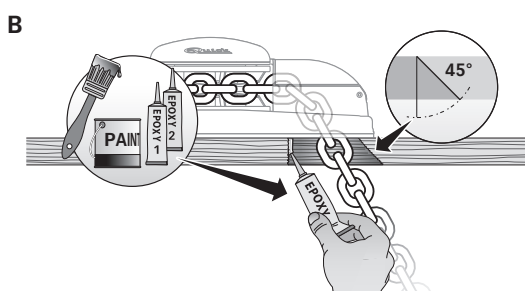
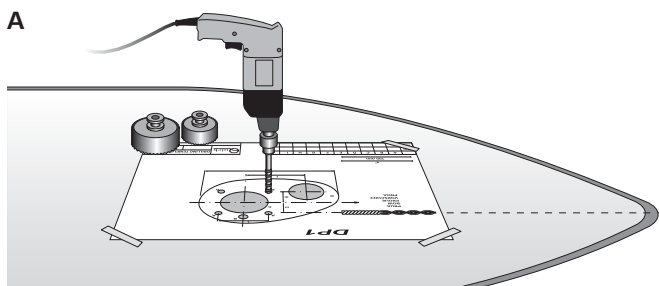
**4.1 - Installation procedures**

A Identify the ideal position and drill the holes using the drilling template supplied.

B Remove the excess material from the rope/chain passage hole, finish it and smooth it with a specific product (marine paint, epoxy resin or gel) ensuring the free passage of the chain.

C Position the upper section inserting the gasket between the deck and the base, and connect it to the lower section inserting the shaft into the gearbox. Fix the windlass by screwing the nuts onto the fixing studs.

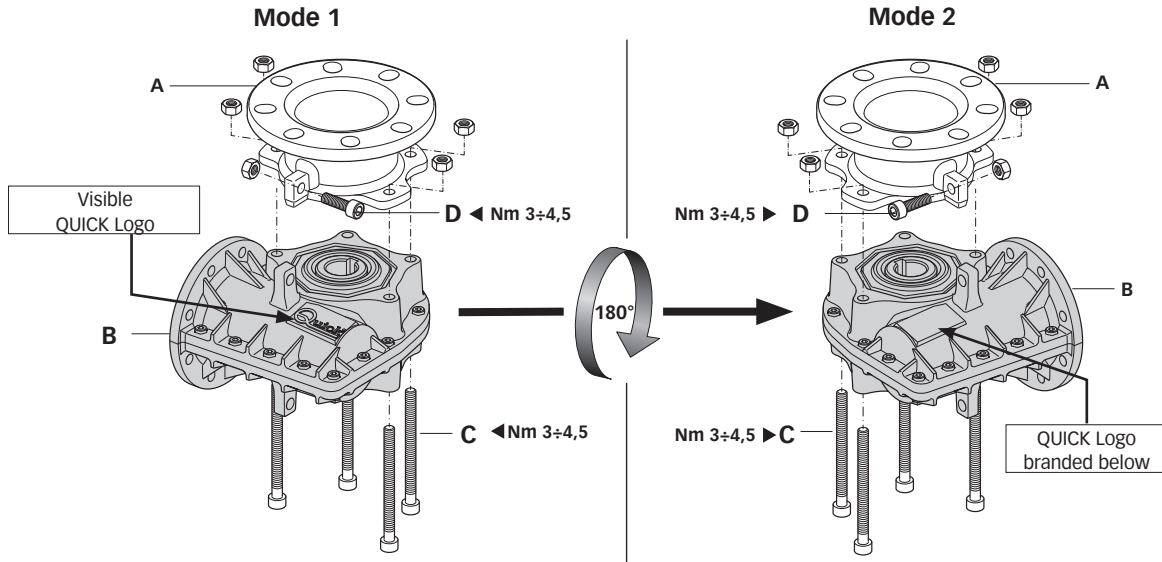
Connect the supply cables from the windlass to the reversing contactor unit.





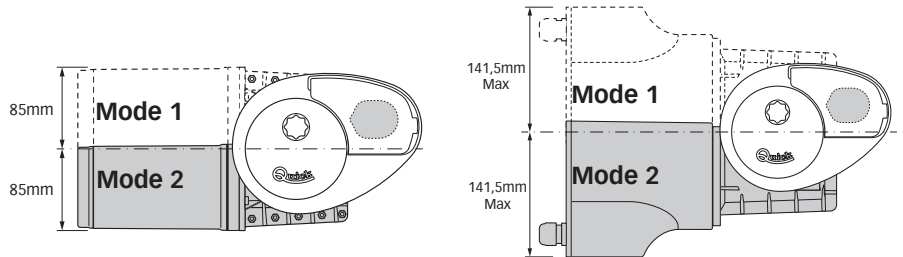
4.2 - Flange mounting DP Series 700W - 1000W

Flange **A** can be fixed on both sides of gearbox **B**.



To change from mode 1 to mode 2 unscrew screws **C** and **D** and separate the two parts **A** and **B**, turn gearbox **B** by 180° and reassemble it with screws **C** and **D**.

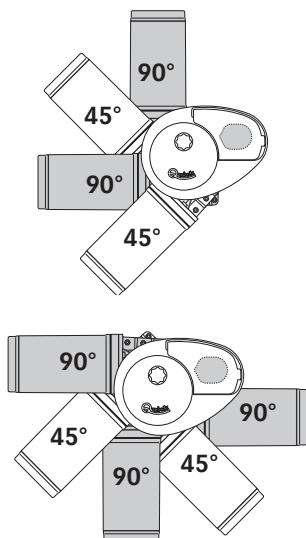
The two modes allow greater versatility in mounting the motorgearbox, while maintaining the same overall dimensions.



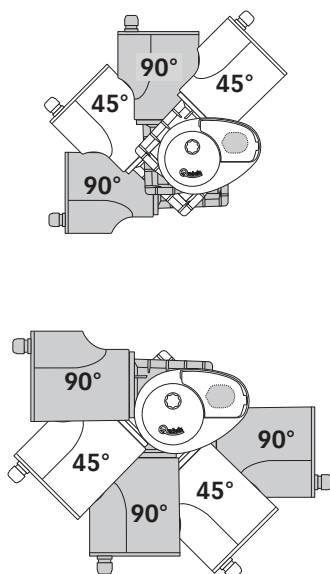
4.3 - Motorgearbox rotation

It is possible to rotate the motorgearbox every 45° in relation to the base of the windlass. Possible motorgearbox positions:

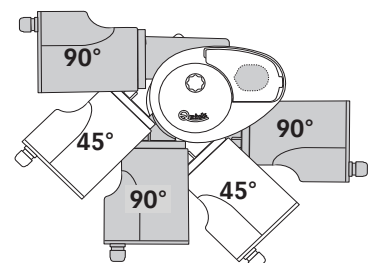
Motorgearbox 300/500W



Motorgearbox 700/1000W

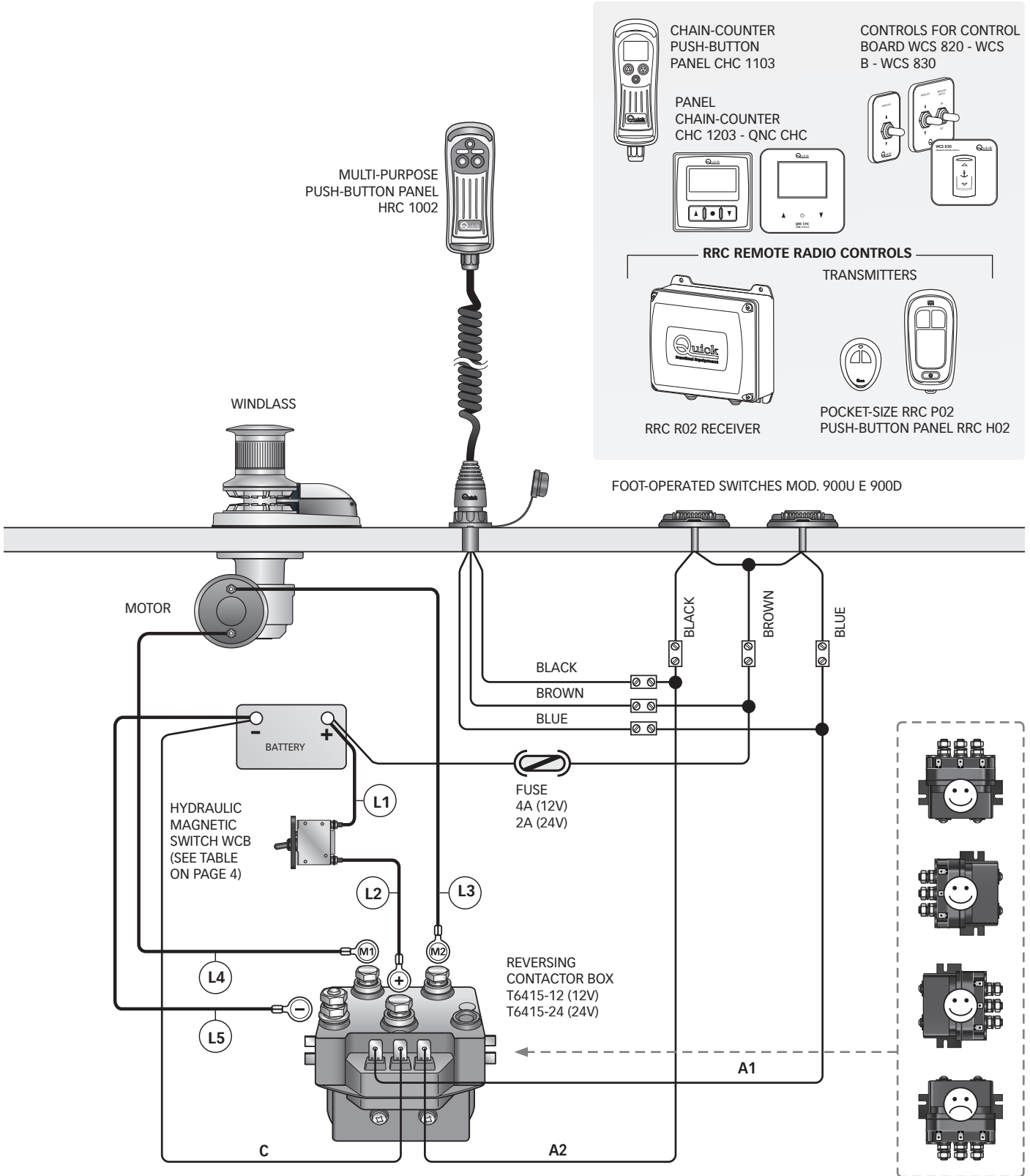


Motorgearbox 1500W





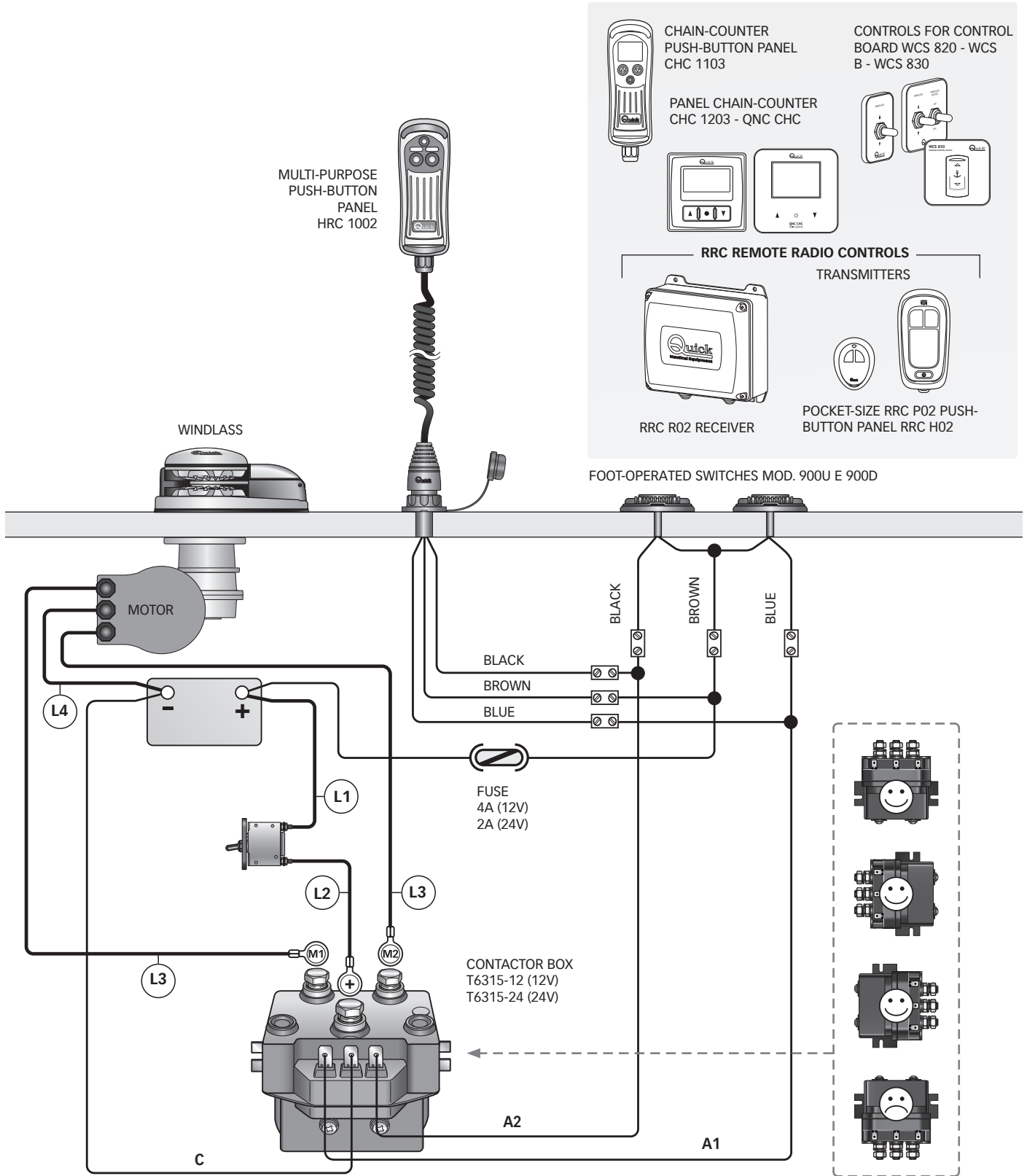
5.0 - Example of connection DP1-DP2 P 300W - 500W
with recommended Quick® accessories for the operation of the windlass



$L = L1 + L2 + L3 + L4 + L5$



5.1 - Example of connection DP2 P 700W - 1000W / DP3 1500W with recommended Quick® accessories for the operation of the windlass



$L = (L1) + (L2) + (L3) + (L4)$



6.0 - Important cautions



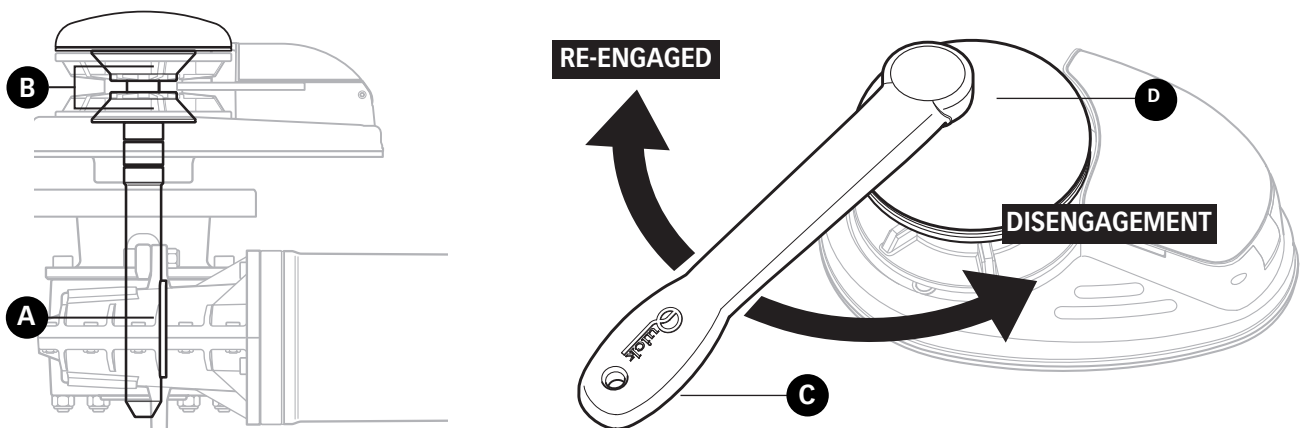
- Stay clear of chains, ropes and gypsy.
- Operate the windlass from a position where it is possible to supervise the work area
- Make sure the electric motor is not powered when the windlass is used manually (even when using the handle to disengage the clutch), because people with windlass remote controls (remote push-button panel or radio control) might accidentally operate it.
- Secure the chain with a retainer before sailing off.
- DO NOT operate the windlass by using the electrical power when the handle is inserted in the drum or into the gypsy cover.



- Quick® recommends using a suitable power fuse/thermal-magnetic/hydraulic-magnetic protection for the motor used, to protect the motor from overheating or short circuits.
- The circuit breaker can be used to isolate the windlass control circuit, thus avoiding accidental activation.

6.1 - Clutch use

The clutch (B) provides a link between the gypsy and the main shaft (A). The clutch can be released (disengagement) by using handle (C) which, when inserted into bush (D) of the drum or into the gypsy cover (6), must be turned counter-clockwise. The clutch will be re-engaged by turning it clockwise.



WEIGHING THE ANCHOR

- A** Turn on the boat engine.
B Make sure the clutch is engaged and remove the handle.
C Press the UP button on the control provided.



Check the upward movement of the chain for the last few meters in order to avoid damage to the bow.

CASTING THE ANCHOR

The anchor can be cast by using the electrical controls or manually.

Manually

The clutch must be disengaged allowing the gypsy to revolve and letting the chain or rope fall into the water. To slow down the chain, the handle must be turned counter-clockwise.

Electrically

To cast the anchor by using the electrical power, press the DOWN button on the control provided. In this manner, anchor casting is under control and the chain unwinds evenly.



In order to avoid any stress on the windlass once the boat is anchored, fasten the chain or secure it to a firm hold with a rope.



6.2 - Troubleshooting

If the windlass stops and the hydraulic magnetic (or thermal magnetic*) switch has not tripped, wait a few seconds and try again (avoid keeping the button pressed).

If the hydraulic magnetic switch, has tripped, reset it and wait a few minutes before weighing anchor once again.

If, after a number of attempts, the windlass is still blocked, we suggest to move the boat to release the anchor.



7 - Maintenance

DP Series



WARNING: make sure the electrical power to the motor is switched off when working manually on the windlass. Carefully remove the chain from the gypsy or the rope from the drum.

Quick® windlasses are made of materials resistant to the marine environment: it is essential, in any case, to periodically remove salt deposits that form on the external surfaces to avoid corrosion and consequently damage to the device. Thoroughly wash the surfaces and parts where salt can deposit with fresh water.

Once a year, disassemble the gypsy and the drum according to the following sequence:

Drum version

- Use the handle (1) to loosen the bush (2); pull off the drum (3)
- Remove the top clutch cone (9)
- Open the chain guide cover (16)
- Undo the retaining screws (20) to remove the chain stripper (21)
- Remove the gypsy (10)
- Remove the bottom clutch cone (9)

No-drum version

- Use the handle (1) to remove the gypsy cover (6)
- Remove the top clutch cone (9)
- Open the chain guide cover (16)
- Undo the retaining screws (20) to remove the chain stripper (21)
- Remove the gypsy (10)
- Remove the bottom clutch cone (9)

Clean all the parts removed to avoid corrosion, and grease (with marine grease) the shaft thread and the gypsy where the clutch cones rest.

Remove any oxide deposits from the terminals of the electric motor and the reversing contactor unit; grease them.



If required, windlass must be disassembled by qualified personnel.

Make sure that the gearmotor is cold before disassembling it.

The disposal must be carried out according to the regulations of the place where the work is carried out.



8 - Product disposal

DP Series

As with installation, at the end of this product life, dismantling must be carried out by qualified personnel.

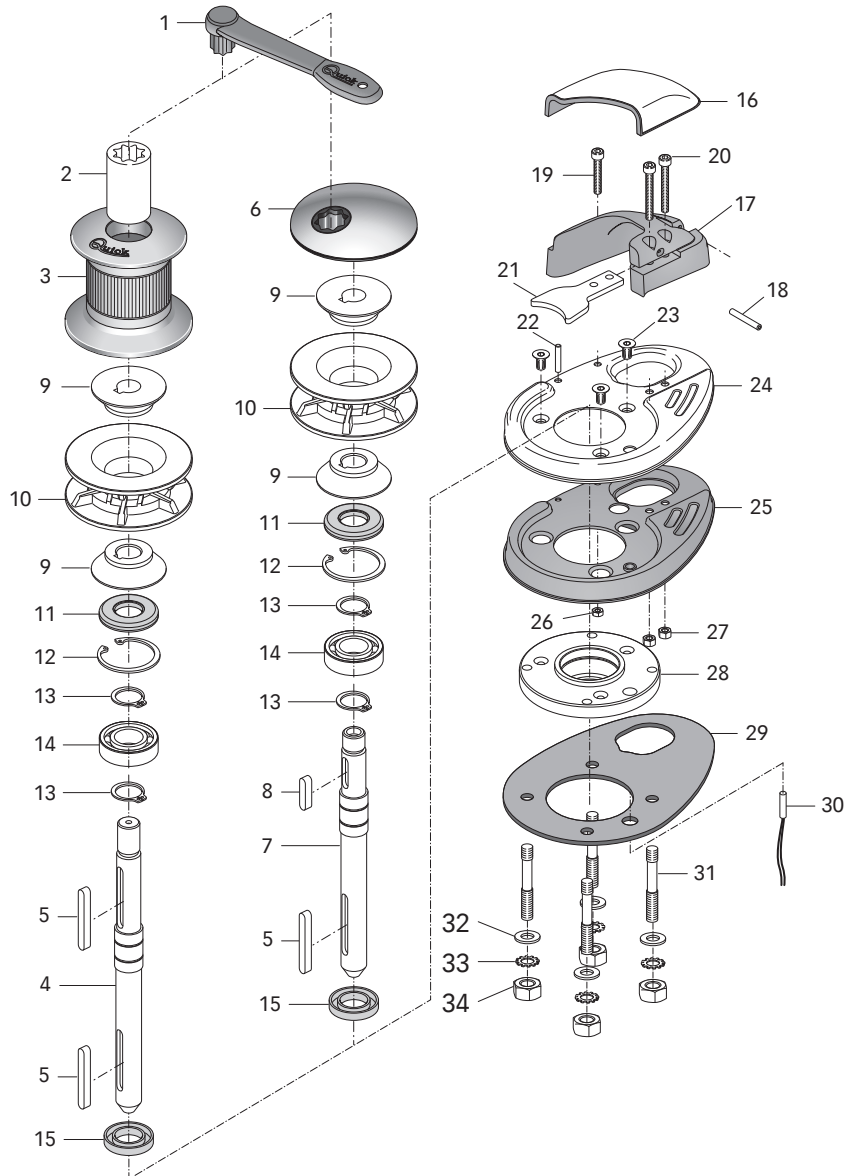
This product is made up of various materials, some can be recycled and others must be suitably disposed of; enquire about the recycling or disposal systems provided for by local regulations for this product category.

Some parts of the product may contain pollutants or hazardous substances that, if dispersed, may be harmful to the environment and human health.

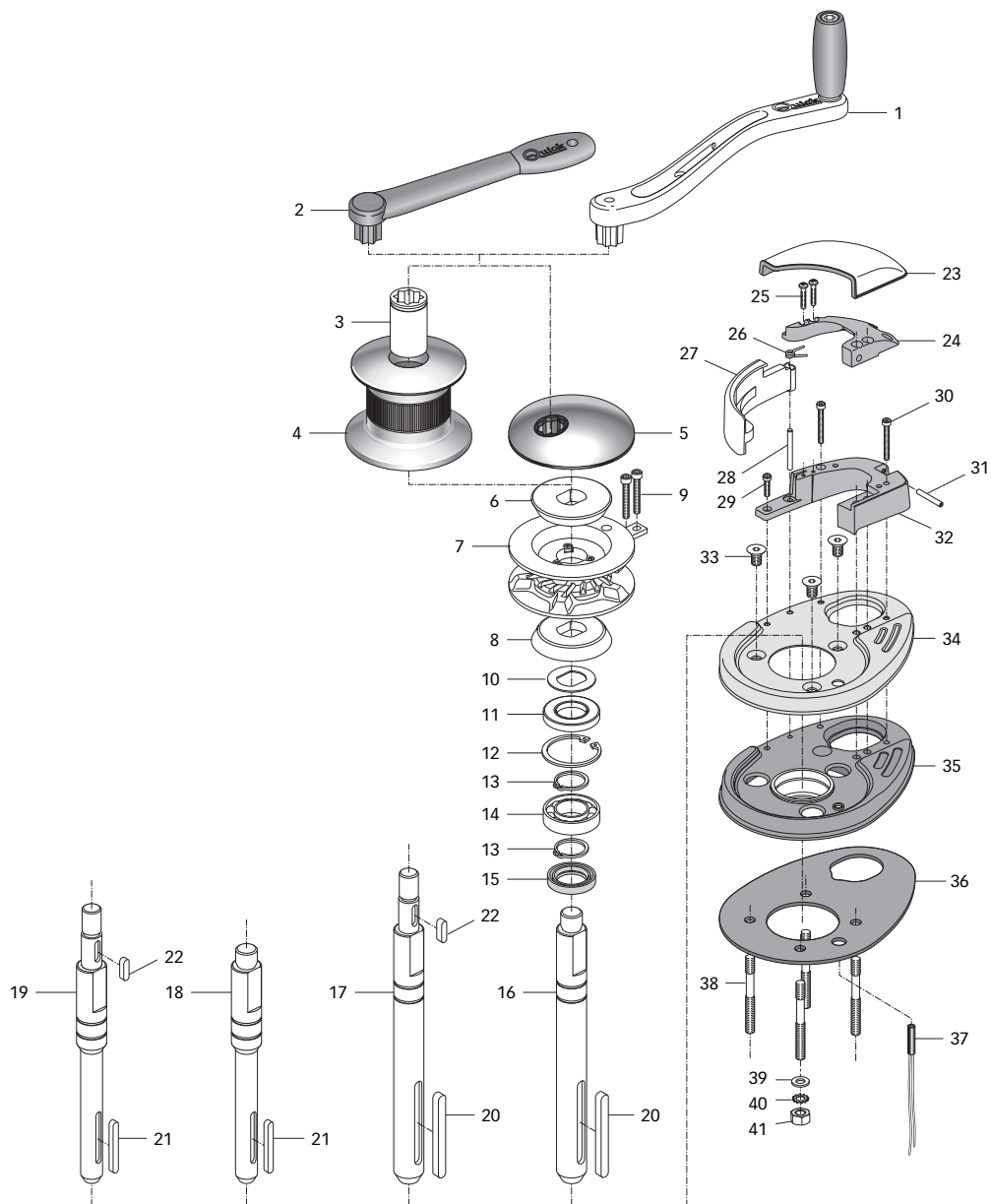


As indicated by the symbol on the side, it is forbidden to dispose of this product as domestic waste.

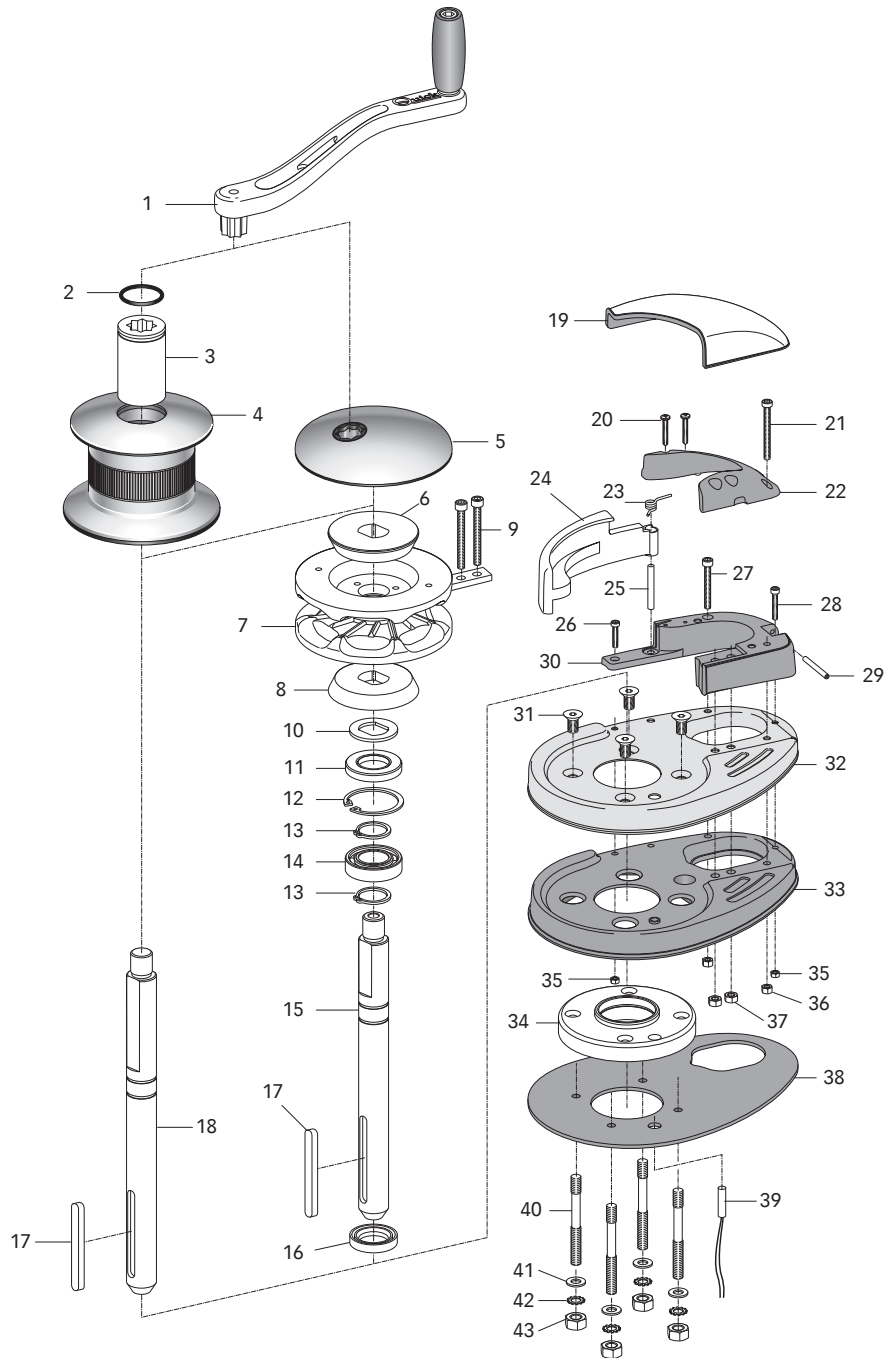
Separate the products for disposal in accordance with the regulations in force in your area or return the product to the seller when purchasing a new equivalent product. Local regulations may impose severe penalties for the improper disposal of this product.



No.	NAME	No.	NAME	No.	NAME
1	STRAIGHT WINDLASS LEVER - NYLON	14	BEARING	28	BASE DP1 ANODIZED ALUM.
2	BUSH	15	OIL SEAL	29	GASKET
3	DRUM	16	CHAIN GUIDE COVER DP1	30	SENSOR
4	SHAFT DP1 D	17	PLASTIC CHAIN PIPE DP1	31	STUD
5	KEY	18	SCREW	32	WASHER
6	GYPSY COVER	19	SCREW	33	SERRATED WASHER
7	ALBERO DP1	20	SCREW	34	NUT
8	KEY	21	CHAIN STRIPPER DP1 STAINLESS STEEL		
9	CLUTCH CONE DP1	22	PIN		
10	GYPSY 500W	23	SCREW		
11	OIL SEAL	24	BASE COVER DP1 STAINLESS STEEL		
12	INTERNAL SNAP RING	25	COVER INSERT DP1 PLASTIC		
13	EXTERNAL SNAP RING	26	NUT		
		27	NUT		



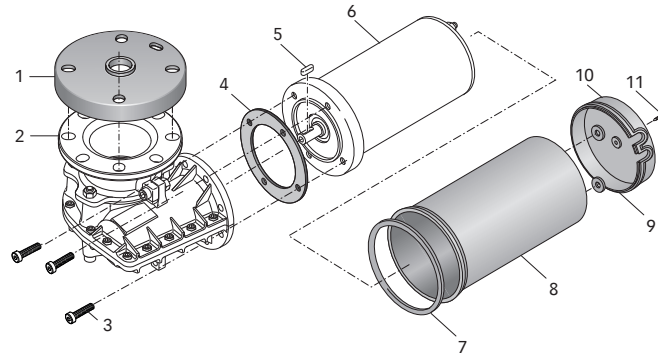
No.	NAME				
1	CURVED WINDLASS LEVER 700-1000W	15	OIL SEAL	30	SCREW
2	STRAIGHT WINDLASS LEVER 300-500W	16	SHAFT DP2 700/1000W	31	SCREW
3	CHROMED DRUM BUSH DP2	17	SHAFT DP2 D 700/1000W	32	CHAIN PIPE SERIES DP2 PLASTIC
4	DRUM - 800W	18	SHAFT DP2 300/500W	33	SCREW
5	GYPSY COVER	19	SHAFT DP2 D 300/500W	34	BASE COVER SERIES DP2 STAINLESS STEEL
6	TOP CLUTCH CONE	20	KEY	35	COVER INSERT DP2 PLASTIC
7	COMPLETE GYPSY DP2	21	KEY	36	WINDLASS GASKET DP2
8	BOTTOM CLUTCH CONE	22	KEY	37	CYLINDRICAL REED SENSOR
9	SCREW	23	CHAIN GUIDE COVER DP2	38	STUD
10	SHAPED WASHER	24	CHAIN PIPE INSERT DP2 PLASTIC	39	WASHER
11	OIL SEAL	25	SCREW	40	SERRATED WASHER
12	INTERNAL SNAP RING	26	PRESSURE LEVER SPRING	41	NUT
13	EXTERNAL SNAP RING	27	PRESSURE LEVER DP2		
14	BEARING	28	CYLINDRICAL PIN		
		29	SCREW		



No.	NAME	15	ALBERO DP3	30	CHAIN PIPE SERIES DP3
1	CURVED WINDLASS LEVER	16	OIL SEAL	31	SCREW
2	O-RING	17	KEY	32	BASE COVER DP3
3	CHROMED DRUM BUSH DP3	18	SHAFT DP3 D	33	COVER INSERT DP3
4	DRUM 1000W	19	CHAIN GUIDE COVER	34	ROUND BASE DP3
5	GYPSY COVER	20	SCREW	35	NUT
6	TOP CONE	21	SCREW	36	NUT
7	GYPSY	22	CHAIN PIPE INSERT	37	NUT
8	BOTTOM CONE	23	PRESSURE LEVER SPRING	38	GASKET/TEMPLATE DPR
9	SCREW	24	PRESSURE LEVER	39	SENSOR
10	SHAPED WASHER	25	CYLINDRICAL PIN	40	STUD
11	OIL SEAL	26	SCREW	41	WASHER
12	INTERNAL SNAP RING	27	SCREW	42	SERRATED WASHER
13	EXTERNAL SNAP RING	28	SCREW	43	NUT
14	BEARING	29	SCREW		

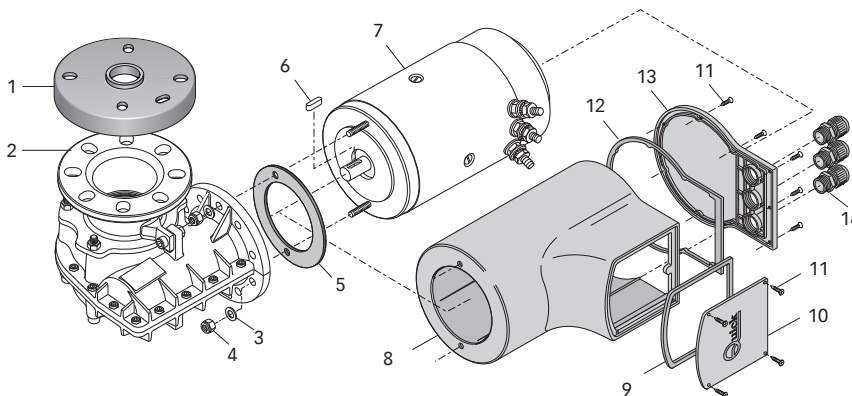


MOTORGearBOX 300/500W DP1 P - DP2 P

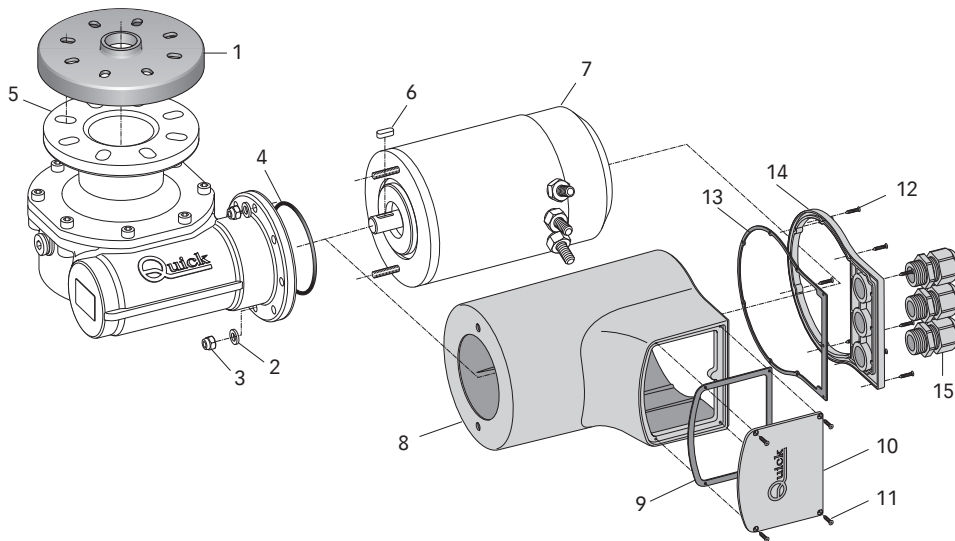


POS	NAME	POS	NAME
1	GEARBOX FLANGE GASKET TOP TG40	6B	MOTOR 500W 12V
2A	GEARBOX - QUICK TG40 500W	6C	MOTOR 500W 24V
2B	GEARBOX - QUICK TG40 500W HS	7	FLANGE GASKET
3	SCREW	8	MOTOR CASING 300/500W
4	MOTORGearBOX GASKET	9	MOTOR POLE GASKET 300/500W
5	KEY	10	BOTTOM COVER ELECTRIC MOTOR 300/500W
6A	MOTOR 3000W 12V	11	SCREW

MOTORGearBOX 700/1000W DP2 P - DP3 P



POS	NAME	POS	NAME
1	GEARBOX FLANGE GASKET TOP TG50	7D	MOTOR 1000W 24V
2	GEARBOX - QUICK TG50 1000W	8A	CARTER 700W
3	WASHER	8B	CARTER 1000W
4	SELF-LOCKING NUT	9	TERMINAL BOARD GASKET 700/1000W
5	MOTORGearBOX GASKET	10	TERMINAL BOARD COVER 700/1000W
6	KEY	11	SCREW
7A	MOTOR 700W 12V	12	BOTTOM GASKET 700/1000W
7B	MOTOR 1000W 12V	13	BOTTOM COVER 700/1000W
7C	MOTOR 700W 24V	14	CABLE GLAND

MOTORGearBOX 1500W DP3

POS	NAME		NAME
1	GEARBOX FLANGE GASKET TOP TG60	8	MOTOR CASING 1000/1400W
2	WASHER	9	TERMINAL BOARD GASKET
3	SELF-LOCKING NUT	10	TERMINAL BOARD COVER
4	O-RING	11	SCREW
5	GEARBOX - QUICK TG70 1500W	12	SCREW
6	KEY	13	BOTTOM GASKET
7A	MOTOR 1500W 12V	14	BOTTOM COVER
7A	MOTOR 1500W 24V	15	CABLE GLAND

**DP1**

See exploded drawing on page 16 DP1

CODE	DESCRIPTION	NUMB. OF PARTS
FVSSGMSDCP05000	OSP DRUM BUSH DP1	2
FVSSMSE04000A00	OSP WINDLASS DRUM DP1	3
FVSSCPBBA050A00	OSP GYPSY COVER DP1	6
FVSSCFDP1000A00	OSP CLUTCH CONE KIT DP1	9
FVSSB0401400A00	OSP GYPSY 1/4" DP1/E1	10
FVSSB0406000A00	OSP GYPSY 6mm DP1/E1	
FVSSBDP10C00A00	OSP WINDLASS BASE DP1 SERIES COMP	from 16 to 34
FVSSADP10000A00	OSP SHAFT KIT DP1	5 - 7 - 8 from 11 to 15
FVSSADP100D0A00	OSP SHAFT KIT DP1 D	4 - 5 from 11 to 15
FVSSPSCDP100A00	OSP CHAIN PIPE KIT DP1	17 - 19 - 20
FVSSCPSCDP10A00	OSP CHAIN GUIDE COVER KIT DP1	16
FVSSDTP1D001A00	OSP TOP DP1 1/4" D	2 - 3 - 4 - 5 from 9 to 34
FVSSDTP1D006A00	OSP TOP DP1 6mm D	
FVSSDTP10001A00	OSP TOP DP1 1/4"	5 - 6 - 7 - 8 from 9 to 34
FVSSDTP10006A00	OSP TOP DP1 6mm	5 - 6 - 7 - 8 from 9 to 34
FVSSLVSDN0000A00	OSP STRAIGHT WINDLASS LEVER	1

DP2

Refer to the exploded drawing on page 17 DP2

CODE	DESCRIPTION	NUMB. OF PARTS
FVSSBDP20140A00	OSP GYPSY DP2 1/4"	7 - 9
FVSSBDP20516A00	OSP GYPSY DP2 5/16"	
FVSSBDP20600A00	OSP GYPSY DP2 6MM	
FVSSBDP20800A00	OSP GYPSY DP2 8MM	
FVSSBDP2LC00A00	OSP WINDLASS BASE DP2 SERIES COMP	FROM 23 TO 41
FVSSBDP2SC00A00	OSP WINDLASS BASE DP2 SERIES COMP	
FVSSCPSCDP20A00	OSP CHAIN GUIDE COVER KIT DP2	23
FVSSDTP2DL01A00	OSP TOP DP2 D L 1/4"	3 - 4 FROM 6 TO 15 17 - 20 FROM 22 TO 41
FVSSDTP2DL05A00	OSP TOP DP2 D L 5/16"	
FVSSDTP2DL06A00	OSP TOP DP2 D L 6MM	
FVSSDTP2DL08A00	OSP TOP DP2 D L 8MM	
FVSSDTP2DS01A00	OSP TOP DP2 D S 1/4"	3 - 4 FROM 6 TO 15 - 19 FROM 21 TO 41
FVSSDTP2DS05A00	OSP TOP DP2 D S 5/16"	
FVSSDTP2DS06A00	OSP TOP DP2 D S 6MM	
FVSSDTP2DS08A00	OSP TOP DP2 D S 8MM	
FVSSDTP20L01A00	OSP TOP DP2 L 1/4"	FROM 5 TO 16 - 20 - FROM 23 TO 41
FVSSDTP20L05A00	OSP TOP DP2 L 5/16"	
FVSSDTP20L06A00	OSP TOP DP2 L 6MM	
FVSSDTP20L08A00	OSP TOP DP2 L 8MM	
FVSSDTP20S01A00	OSP TOP DP2 S 1/4"	FROM 5 TO 15 - 18 - 21 FROM 23 TO 41
FVSSDTP20S05A00	OSP TOP DP2 S 5/16"	
FVSSDTP20S06A00	OSP TOP DP2 S 6MM	
FVSSDTP20S08A00	OSP TOP DP2 S 8MM	
FVSSADP2000LA00	OSP SHAFT KIT DP2 L	11 FROM 13 TO 16 20
FVSSADP2000SA00	OSP SHAFT KIT DP2 S	11 FROM 13 TO 15 18 - 21
FVSSADP200DLA00	OSP SHAFT KIT DP2 D L	11 FROM 13 TO 15 17 - 20 - 22
FVSSADP200DSA00	OSP SHAFT KIT DP2 D S	11 FROM 13 TO 15 19 - 21 - 22
FVSSCFASC000A00	OSP CLUTCH CONE KIT DP2	6 - 8
FVSSCPBBASG0A00	OSP GYPSY COVER DP2	5
FVSSMSE0800XA00	OSP WINDLASS DRUM DP2	4
FVSSPSCDP200A00	OSP CHAIN PIPE KIT DP2	24 - 25 - 29 - 30 - 32
FVSSGMSDCP05000	OSP DRUM BUSH DP2	3
FVSSLVSDN000A00	OSP STRAIGHT WINDLASS LEVER	2
FVSSLVSP00R2A00	OSP CURVED WINDLASS LEVER R2	1

**DP3**

Refer to the exploded drawing on page 18

CODE	DESCRIPTION	NUMB. OF PARTS
FVSSGMSDP300000	OSP DRUM BUSH "SERIES DP3"	2 - 3
FVSSMSE10DP3A00	OSP WINDLASS DRUM 1000W DP3	4
FVSSSTDP3D008A00	OSP TOP DP3 D 8MM-5/16"	2 -3 - 4 from 6 to 43
FVSSSTDP3D010A00	OSP TOP DP3 D 10MM-3/8"	
FVSSADP300D0A00	OSP SHAFT KIT DP3 D	from 11 to 14 - 16 - 17 - 18
FVSSLVSP00R2A00	OSP CURVED WINDLASS LEVER R2	1
FVSSCPBBA100A00	OSP GYPSY COVER DP3	5
FVSSSTDP30008A00	OSP TOP DP3 8MM-5/16"	from 5 to 17 - from 19 to 43
FVSSSTDP30010A00	OSP TOP DP3 10MM-3/8"	
FVSSADP30000A00	OSP SHAFT KIT DP3	from 11 to 17
FVSSCPSCDP30A00	OSP CHAIN GUIDE COVER KIT DP3	19
FVSSSTCDP3000A00	OSP PRESSURE LEVER KIT DP3	23 - 24 -25
FVSSPSCDP300A00	OSP CHAIN PIPE KIT DP3	20 - 21 - 22 - from 26 to 30
FVSSBDP38516A00	OSP GYPSY DP3 8MM-5/16"	7 - 9
FVSSBDP31038A00	OSP GYPSY DP3 10MM-3/8"	
FVSSCFANHC00A00	OSP CLUTCH CONES DP3	6 - 8
FVSSBDP310C00A00	OSP WINDLASS BASE DP3 SERIES COMP	from 19 to 43

MOTORGearBOX 300/500W DP1 P - DP2 P

See exploded drawing on page 19

CODE	DESCRIPTION	NUMB. OF PARTS
FVSSMR05TG40B00	OSP GEARBOX 500W WINDLASS QUICK TG40 R1	1 - 2a - 3 - 4 - 12
FVSSMR0540HSB00	OSP GEARBOX 500W WINDLASS QUICK TG40 HS R1	1 - 2b - 3 - 4 - 12
FVSSR0312Q00B00	OSP MOTORGearBOX 300W 12V QUICK R1	1 - 2a from 3 to 12
FVSSR0512Q00B00	OSP MOTORGearBOX 500W 12V QUICK R1	
FVSSR0512QHsB00	OSP MOTORGearBOX 500W 12V QUICK HS R1	1 - 2b from 3 to 11
FVSSR0524Q00B00	OSP MOTORGearBOX 500W 24V QUICK R1	1 - 2a from 3 to 11
FVSSR0524QHsB00	OSP MOTORGearBOX 500W 24V QUICK HS R1	1 - 2b from 3 to 11
FVSSM0312000A00	OSP WINDLASS MOTOR 300W 12V	3 - 4 from 6a to 11
FVSSM0512000A00	OSP WINDLASS MOTOR 500W 12V	3 - 4 from 6b to 11
FVSSM0512000A00	OSP WINDLASS MOTOR 500W 24V	3 - 4 from 6c to 11

MOTORGearBOX 700/1000W DP2 P - DP3 P

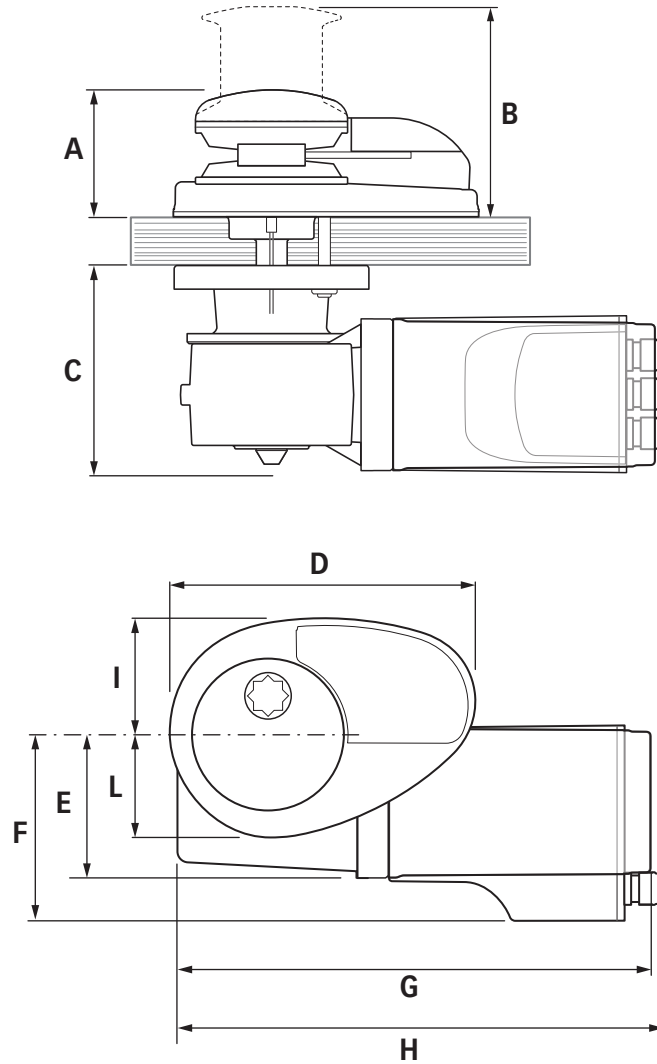
See exploded drawing on page 19

CODE	DESCRIPTION	NUMB. OF PARTS
FVSSMR10TG50B00	OSP GEARBOX 1000W QUICK WINDLASS R1	from 1 to 5
FVSSR0712Q00B00	OSP MOTORGearBOX 700W 12V QUICK R1	from 1 to 14
FVSSR1012Q00B00	OSP MOTORGearBOX 1000W 12V QUICK R1	
FVSSR0724Q00B00	OSP MOTORGearBOX 700W 24V QUICK R1	
FVSSR1024Q00B00	OSP MOTORGearBOX 1000W 24V QUICK R1	
FVSSM0712000A00	OSP WINDLASS MOTOR 700W 12V	from 3 - 14 (with 7A)
FVSSM1012000A00	OSP WINDLASS MOTOR 1000W 12V	from 3 - 14 (with 7B)
FVSSM0724000A00	OSP WINDLASS MOTOR 700W 24V	from 3 - 14 (with 7C)
FVSSM1024000A00	OSP WINDLASS MOTOR 1000W 24V	from 3 - 14 (with 7D)

MOTORGearBOX 1500W DP3

See exploded drawing on page 19

CODE	DESCRIPTION	NUMB. OF PARTS
FVSSMR15TG70A00	OSP GEARBOX 1500W QUICK WINDLASS	from 1 to 5
FVSSR1512Q00A00	OSP MOTORGearBOX 1500W 12V QUICK	from 1 to 15
FVSSR1524Q00A00	OSP MOTORGearBOX 1500W 24V QUICK	
FVSSM1512000A00	OSP WINDLASS MOTOR 1500W 12V	2-3-4 from 6 to 15
FVSSM1524000A00	OSP WINDLASS MOTOR 1500W 24V	



DP Series P (-/D)	DP1 P 300W 500W	DP2 P 300W 500W	DP2 P 700W	DP2 P 1000W	DP3 P 700W	DP3 P 1000W	DP3 1500W
A	75.4 (2 31/32)	84.4 (3 5/16)	84 (3 5/16)		99 (3 57/64)		
B Drum	134 (5 9/32)	140 (5 33/64)	140 (5 1/2)		166 (6 17/32)		
C	127.5 (5 1/64)	127.5 (5 1/64)	155 (6 7/64)		155.4 (6 1/8)		170.4 (6 45/64)
D	182 (7 5/32)	196 (7 23/32)	196 (7 23/32)		247 (9 11/16)		
E	85 (3 11/32)	85 (3 11/32)	---	---	---	---	---
F	---	---	141.5 (5 9/16)		141.5 (5 9/16)		161.5 (6 23/64)
G	281 (11 1/16)		----		---	---	---
H	---	---	340 (13 24/64)	355 (13 31/32)	340 (13 24/64)	355 (13 31/32)	385 (15 5/32)
I	69 (2 23/32)	78 (3 1/16)	78 (2 3/16)		92 (3 5/8)		
L	61 (2 13/32)	68 (2 43/64)	68 (2 43/64)		82 (3 7/32)		

DP Series

REV 001C

CE

UK
CA

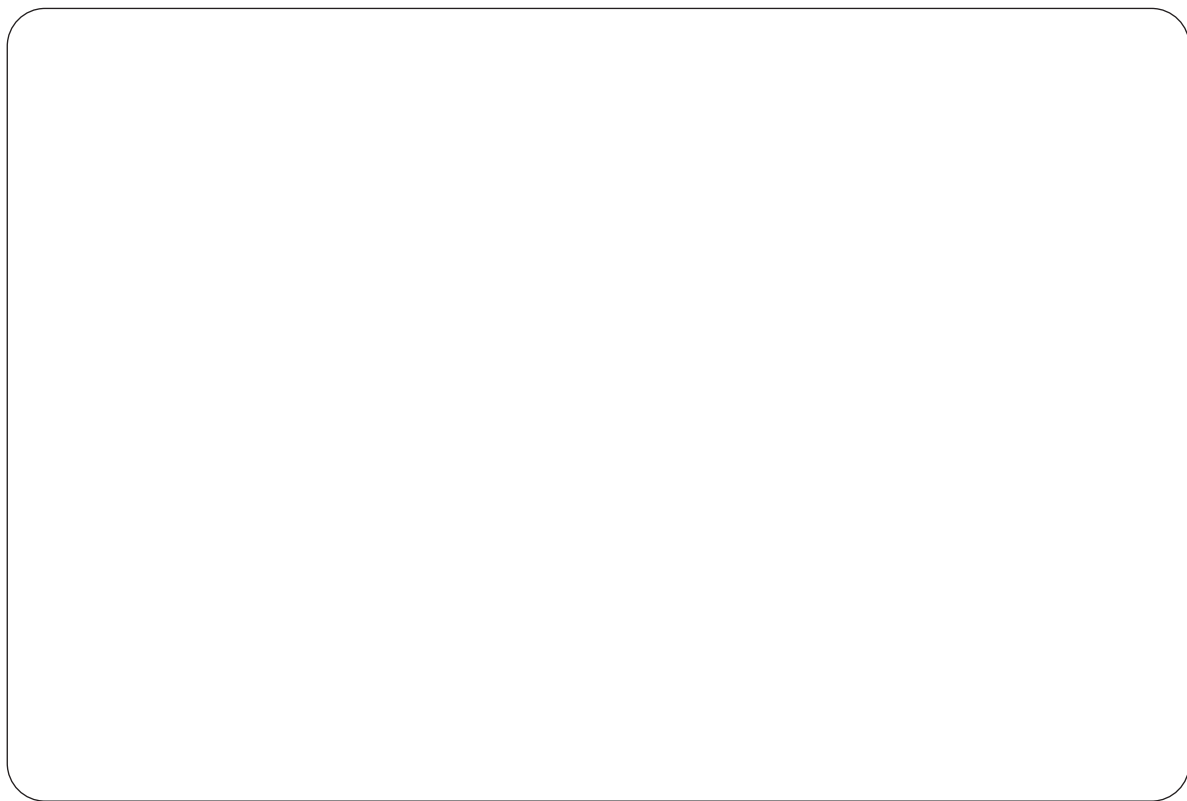
December 2022

DP1_P 300 500

DP2_P 300 500 700 1000

DP3_P 700 1000

DP3 1500



Product serial number

